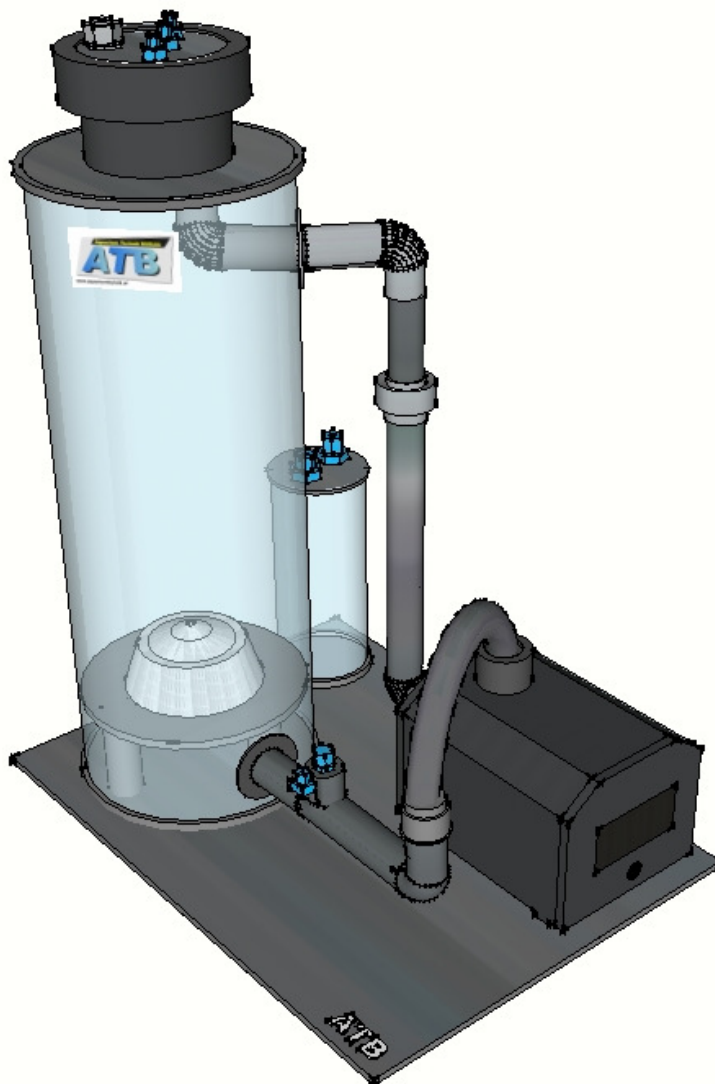

ATB CA-Reactor Manual

How to install and use the ca-reactor



Introduction and contents

Thank you for buying a product of **ATB**.

First we would like to thank you for your interest in our products

It was a good decision to take a product of our company ATB.

- We are constantly making improvements on the individual products. We are using high quality material and we are also looking on a perfect function. It is also important to use a modern design.
- All products of ATB Aquariumtechnik are handmade. We are controlling each production step to ensure a high quality product.

Content and notes!:

This manual is including notes for mounting, commissioning and operation of the ca-reactor. You have to verify all parts for defects before starting. We are taking no liability for following damages. Please contact your dealer or the support of ATB if you have any problems. You need a corresponding qualification or enough experience for mounting, operation and maintenance of this product.

If you do not have enough experience or qualifications then contact your dealer for further details. Otherwise important functions of your tank can be failing.

The temperature should never reach the freezing point. You must drain the device if the water temperature is too low. The product may not be used until the normal temperature is available. This product can only be used for the filtration of aquarium plants. If you want to use it for other things, then you must contact our company before you do that.

Content

- The ca-reactor: Page 2
- Installation and connections: Page 3
- More instructions for media, KH, etc ... : Page 4 - 6

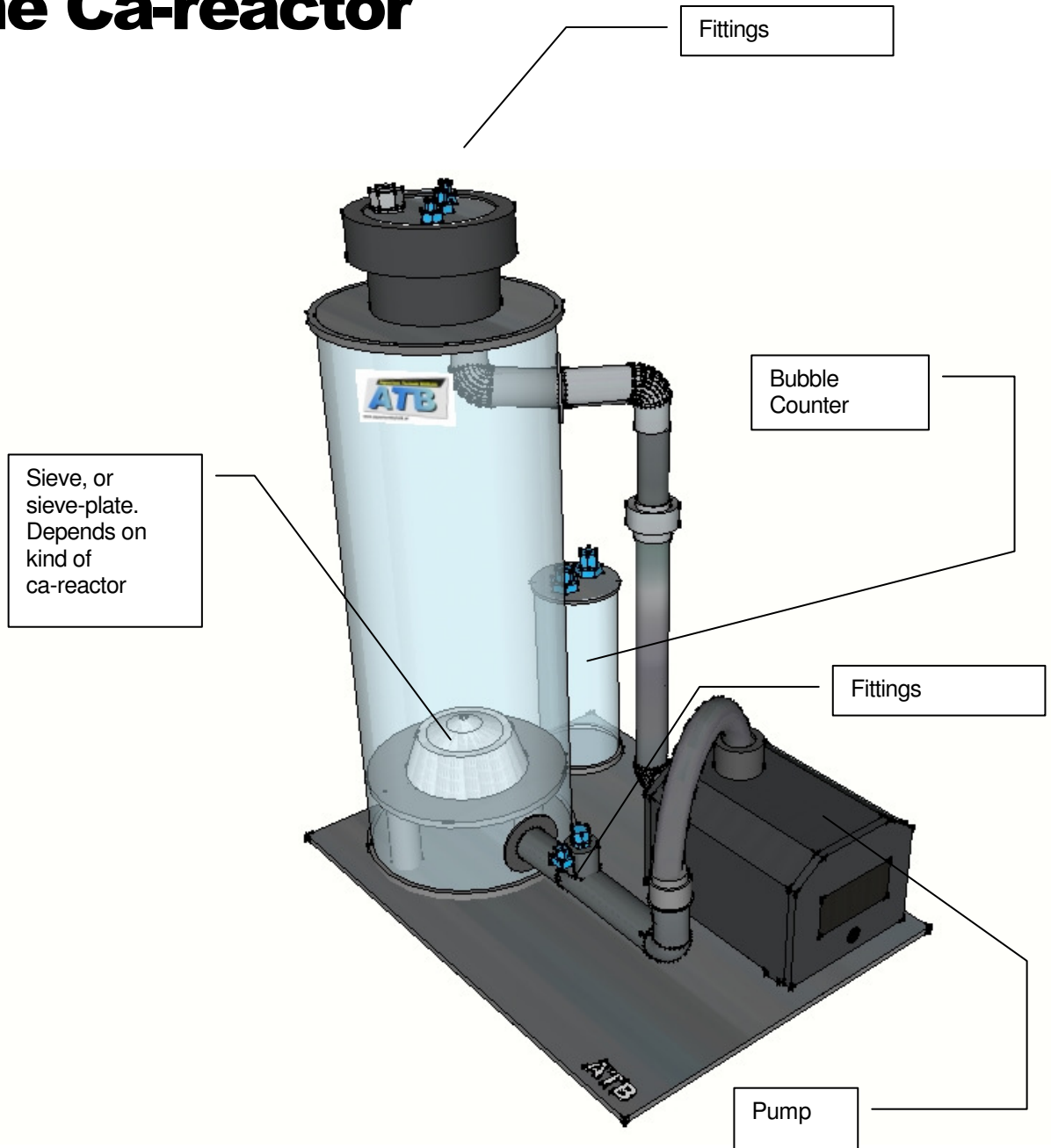
Feel free to contact us if you have any questions. You can use the contact form on our website or this address: office@aquariumtechnik.at

Support

Take a look on our website, if you want to see our newest improvements and new products.

www.aquariumtechnik.at, Our german forum: www.seahorse-reef.com

The Ca-reactor



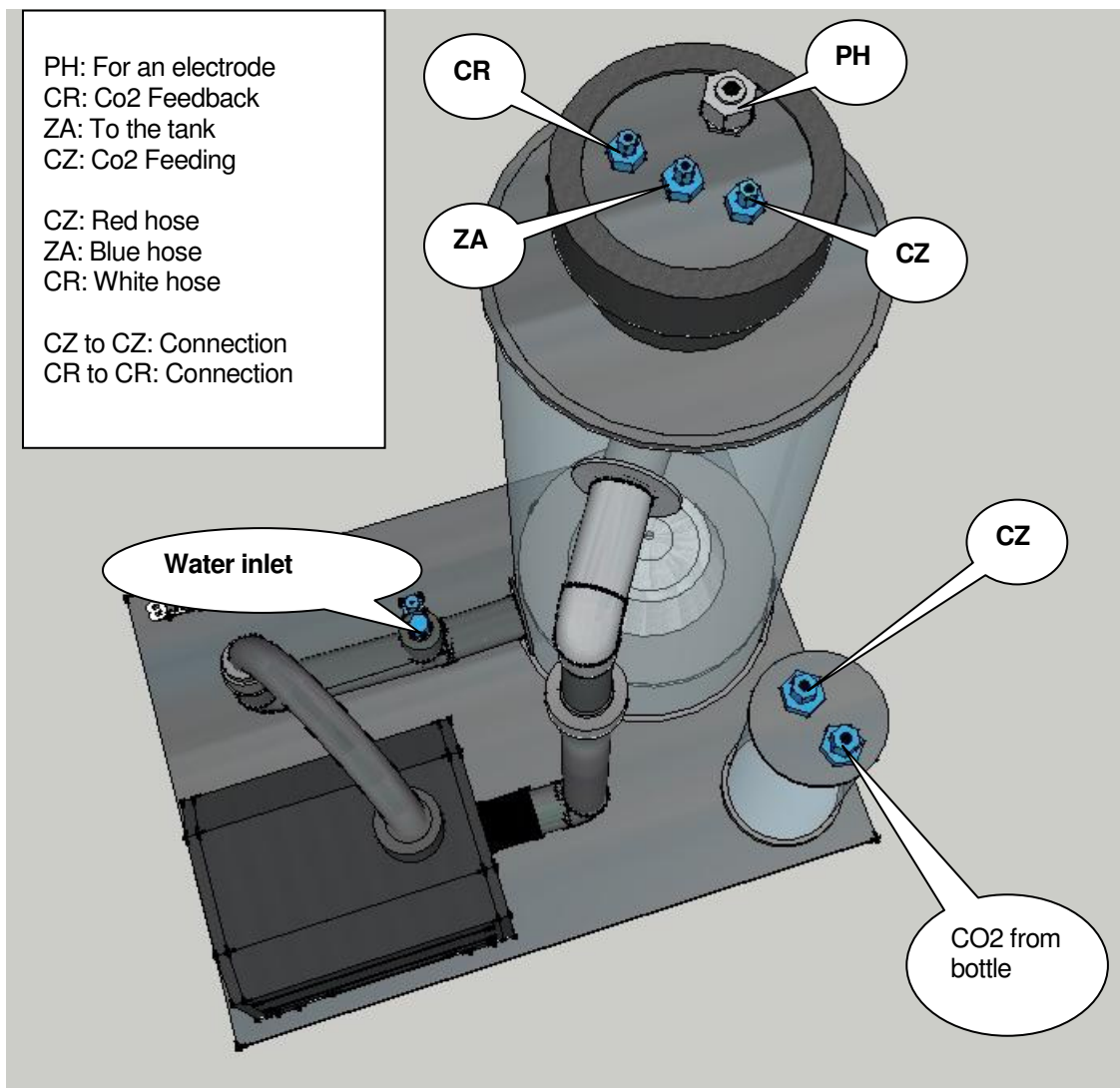
Installation

Different types:

The illustration may differ from your device. The operation of the ca-reactors is nearly the same.

The fittings

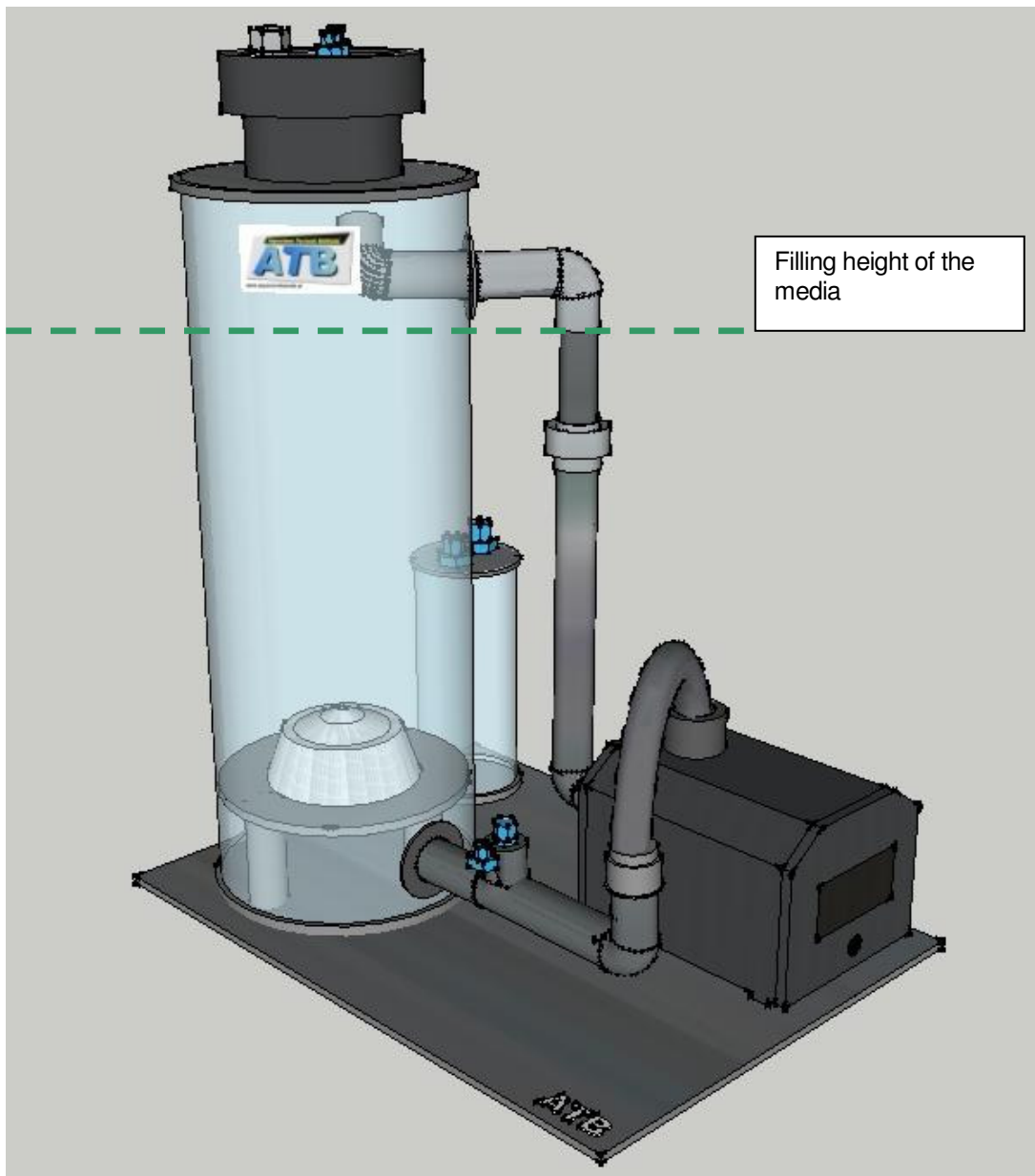
Connect the hoses with the fittings:



Capacity

The media should have a minimum size of 12 mm.

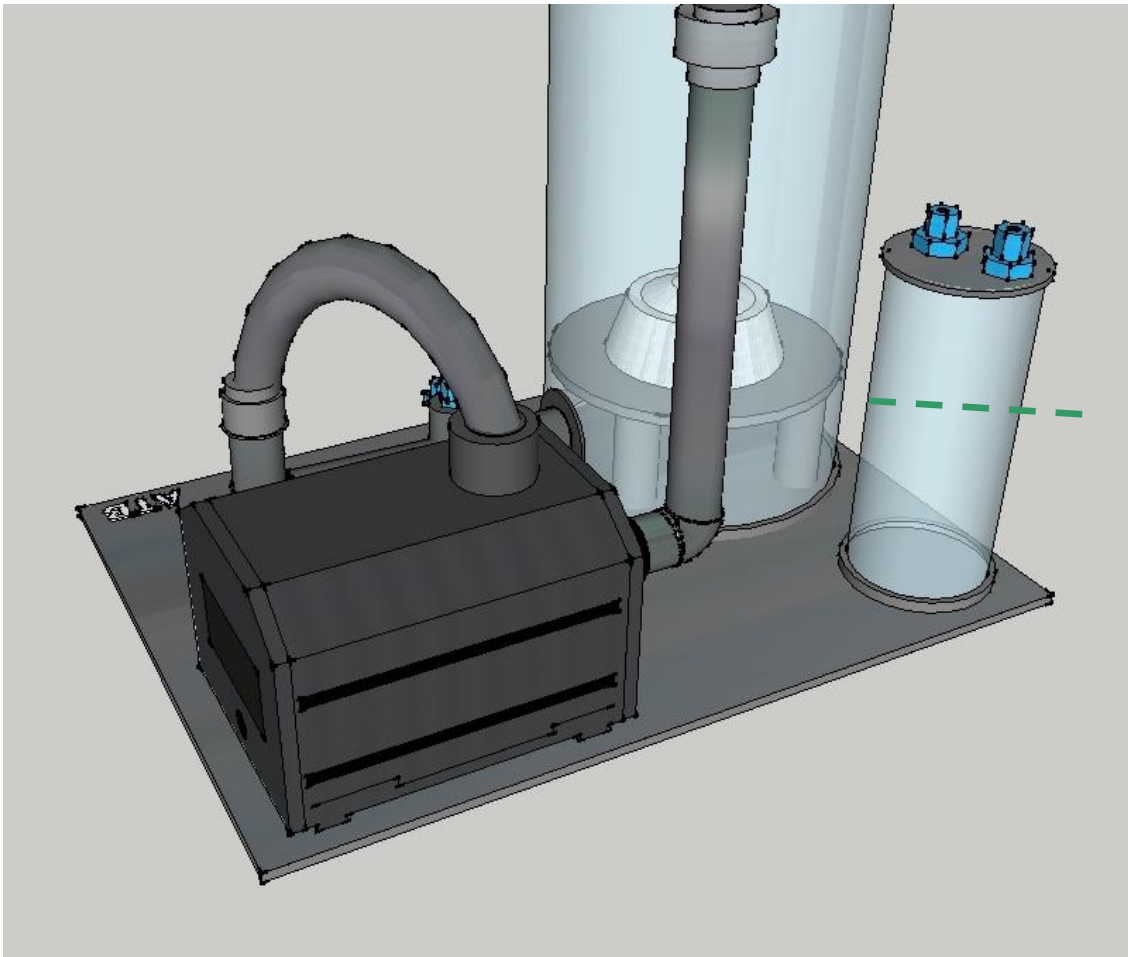
Filling height



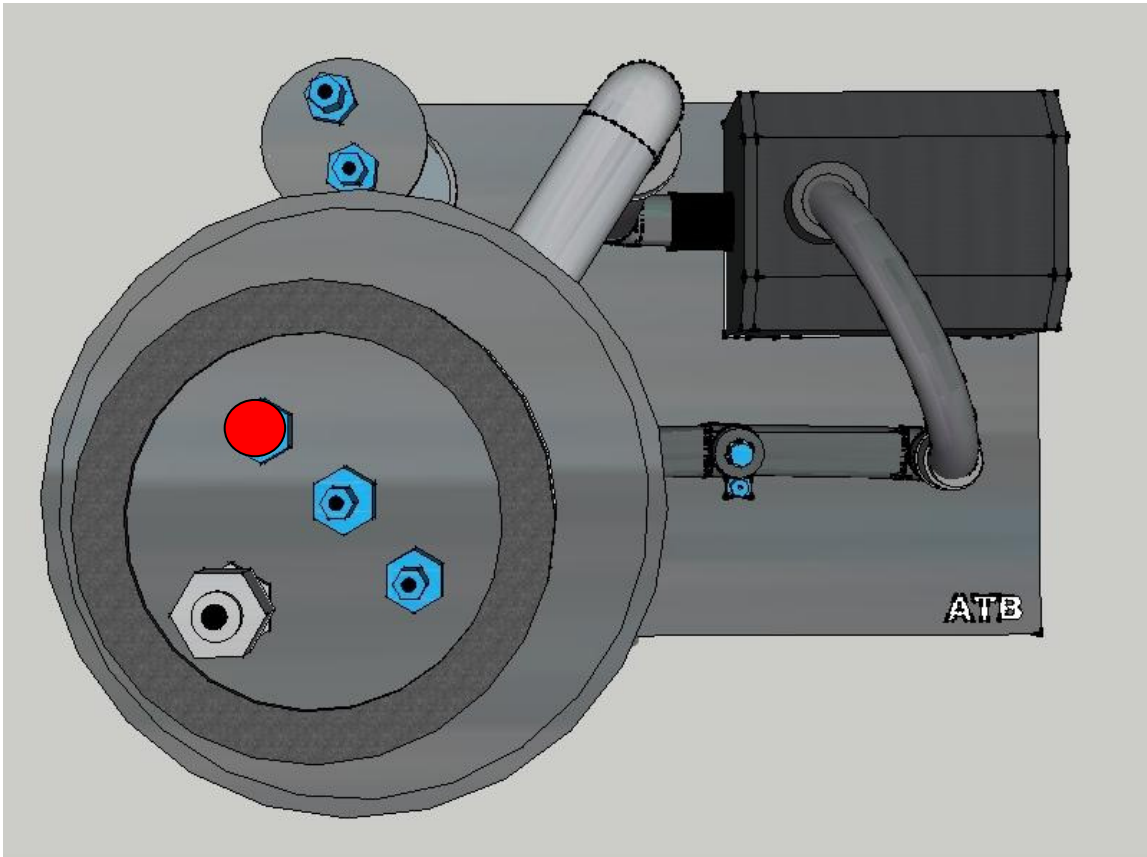
Bubble counter

Fill the bubble counter up to half with water. For the optimal performance the KH should have a value of 15 - 25 on the outlet.

Filling height



Further instructions



After the ca-reactor is filled with media and you fill in the water, you should remove the red hose from the top of the ca-reactor. Then the air can come out. You can connect the hose again after the water is coming out.