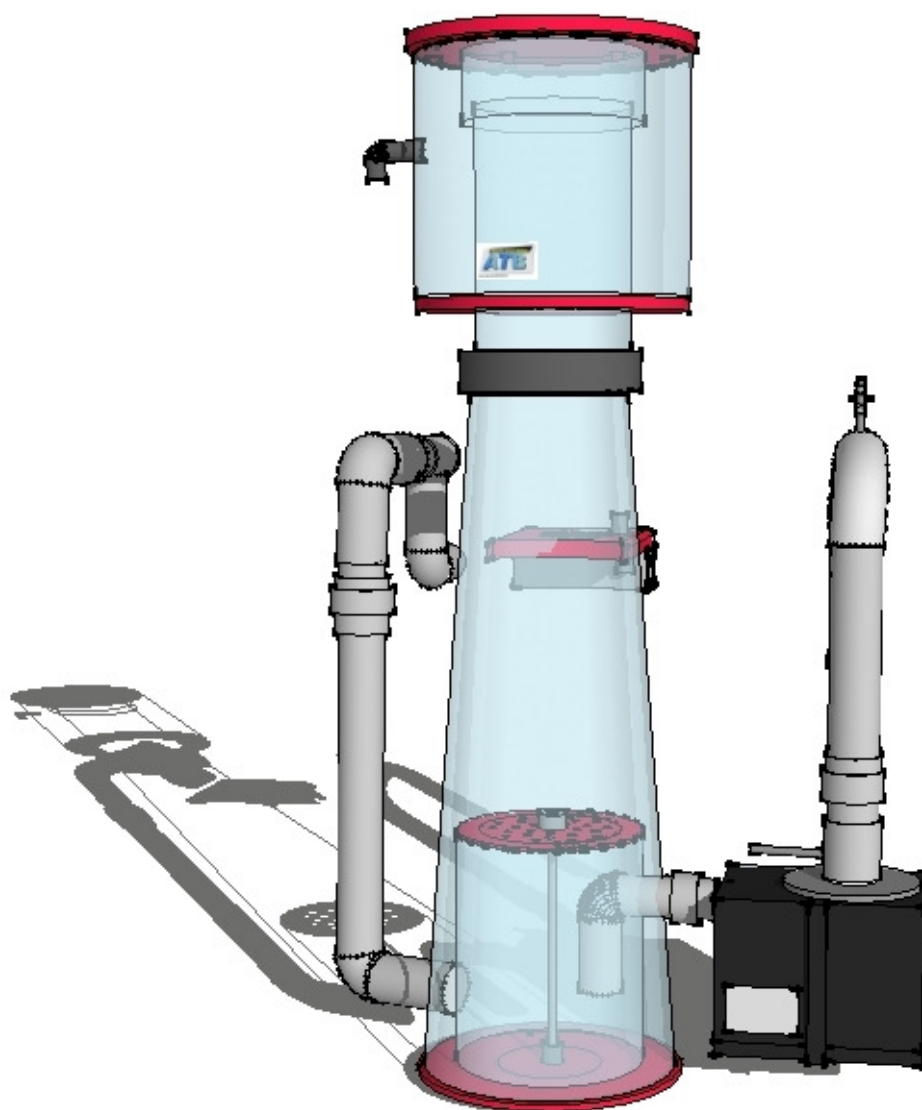

ATB Hang On Manual

How to install and use the skimmer



Introduction and contents

Thank you for buying a product of **ATB**.

First we would like to thank you for your interest in our products

It was a good decision to take a product of our company ATB.

- We are constantly making improvements on the individual products. We are using high quality material and we are also looking on a perfect function. It is also important to use a modern design.
- All products of ATB Aquariumtechnik are handmade. We are controlling each production step to ensure a high quality product.

Content and notes!:

This manual is including notes for mounting, commissioning and operation of the skimmer. You have to verify all parts for defects before starting. We are taking no liability for following damages. Please contact your dealer or the support of ATB if you have any problems. You need a corresponding qualification or enough experience for mounting, operation and maintenance of this product.

If you do not have enough experience or qualifications then contact your trader for further details. Otherwise important functions of your tank can be failing.

The temperature should never reach the freezing point. You must drain the device if the water temperature is too low. The product may not be used until the normal temperature is available. This product can only be used for the filtration of aquarium plants. If you want to use it for other things, then you must contact our company before you do that.

Content

- The skimmer: page 2
- How to install and use the skimmer: page 3 - 5
- Cleaning process: page 6 - 8

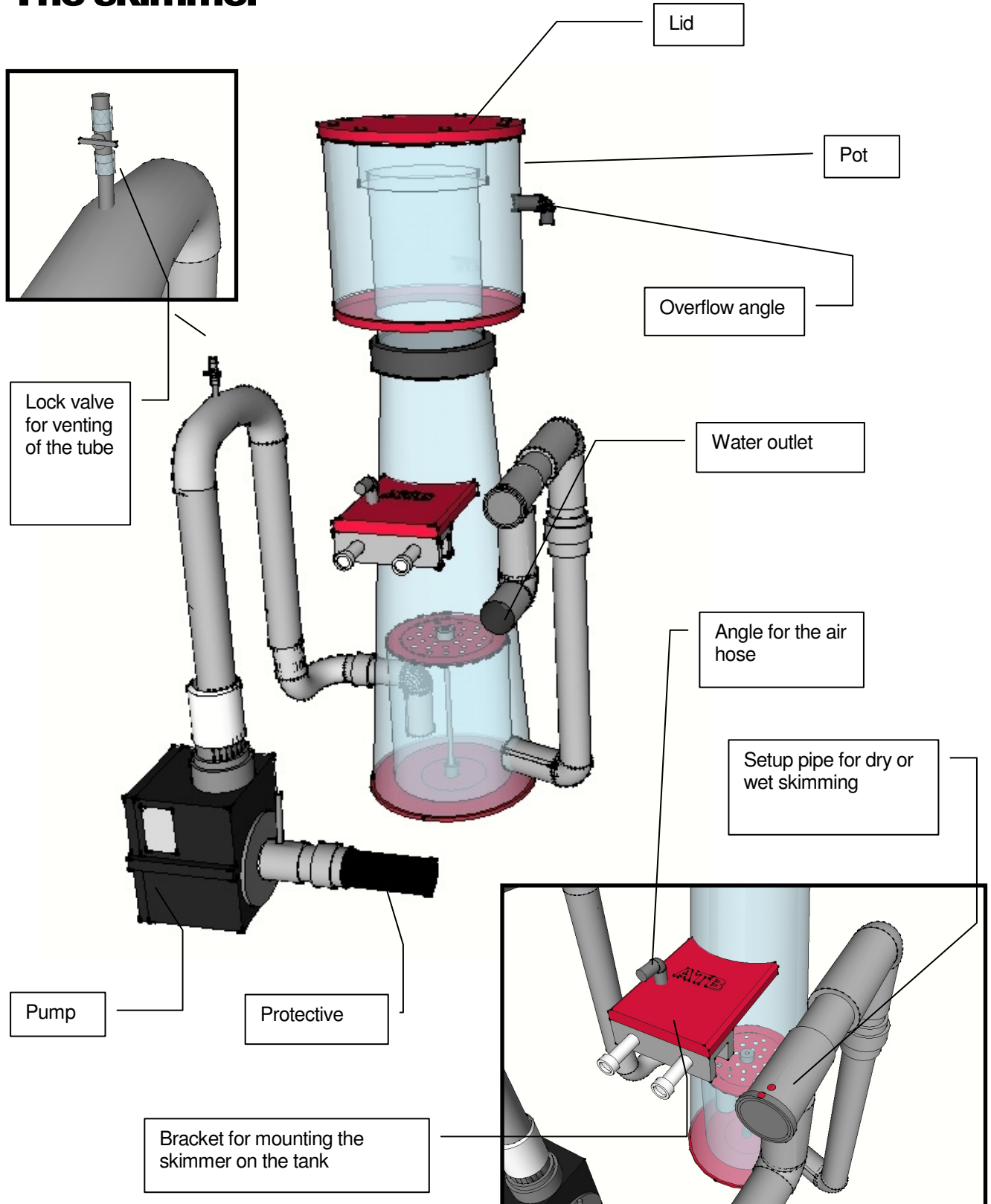
Feel free to contact us if you have any questions. You can use the contact form on our website or this address: office@aquariumtechnik.at

Support

Take a look on our website, if you want to see our newest improvements and new products.

www.aquariumtechnik.at, Our german forum: www.meerwasserinfo.at

The skimmer



Installation of the skimmer

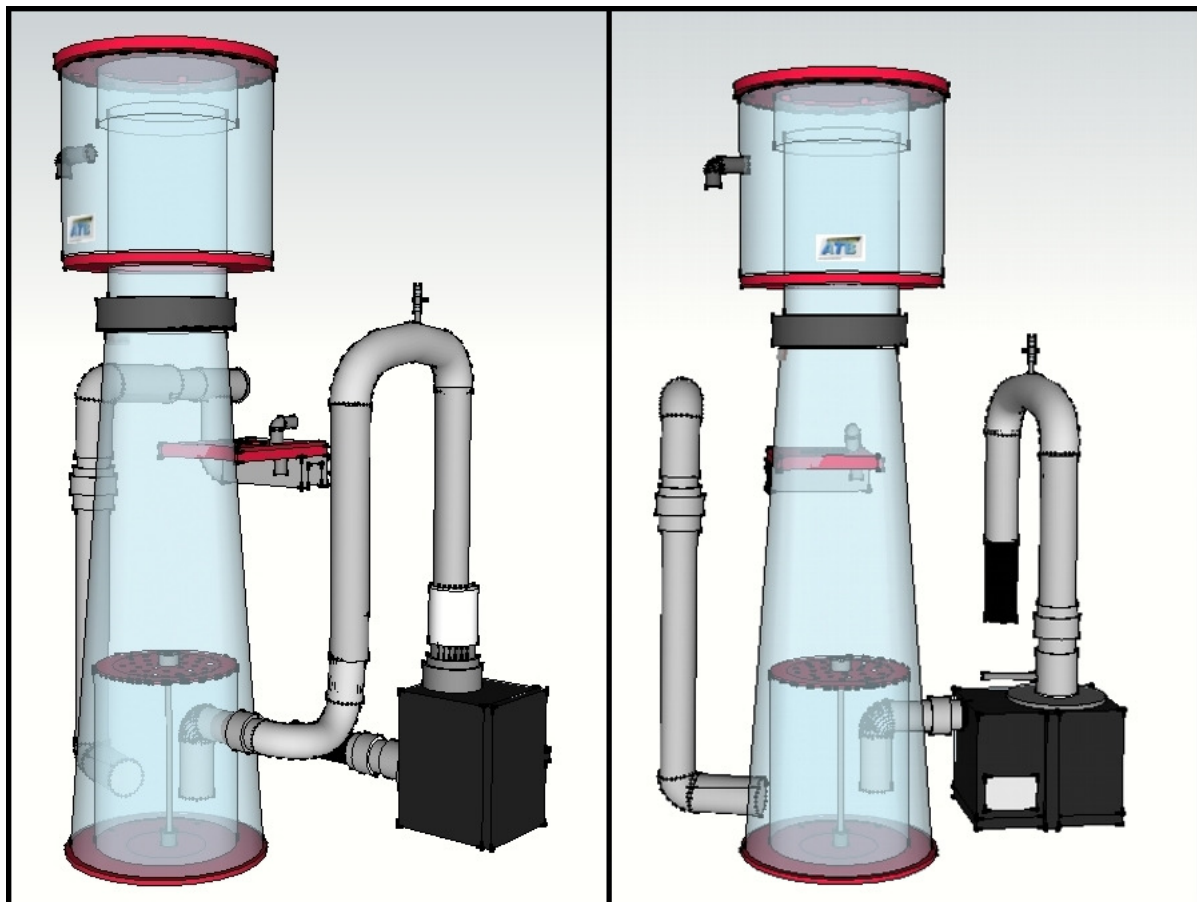
There are two types of installation possible.

Both serve the same purpose.

Differences in the installation options

The skimmer can be assembled in two different ways:

- **Internal use of the pump: (Picture 1 left below)** The feeding pipe need not be free of air if you are using the internal variant. You do not have to prefill the skimmer with water. A disadvantage of this variant could be: The water can be warmer in the summer month. The reason is the internal pump.
- **External use of the pump: (Picture 2 right below)** You have to prefill the skimmer until the arrow line. Look at page 5. The feeding pipe must be free of air. Only water should be in there. The advantage of this variant is: The water is not getting warmer. It is also looking better if the pump is not in the tank.



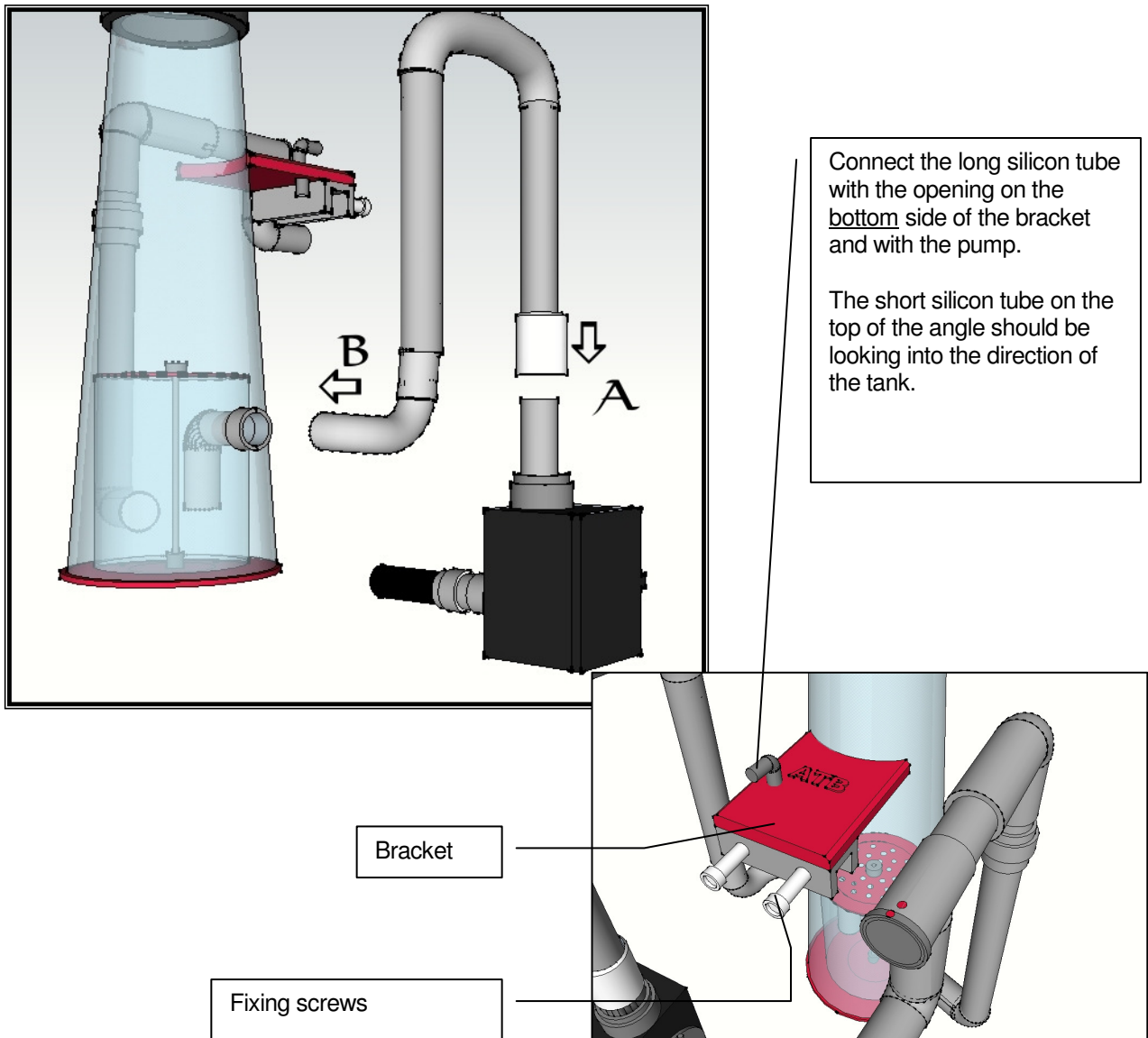
Installation of the skimmer

How to make the skimmer ready for internal use?

Internal use of the pump

The skimmer can be used after you have made the following points.

- Connect pipe combination A with the silicon hose part to the pump.
- Put point B into the gland and fix it.
- Fix the skimmer with the bracket on your tank.



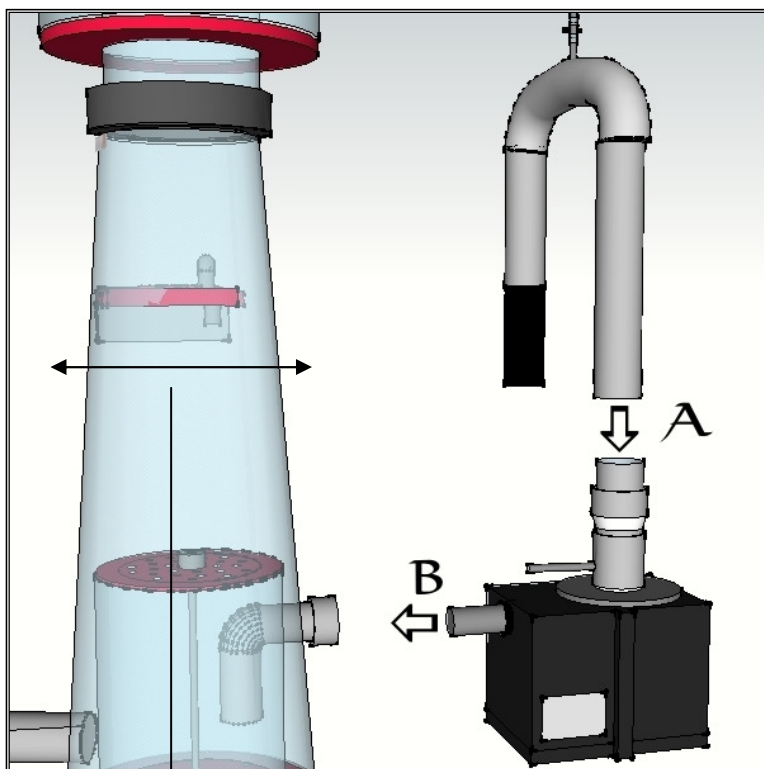
Installation of the skimmer

How to make the skimmer ready for external use?

External use of the pump

The skimmer can be used after you have made the following points.

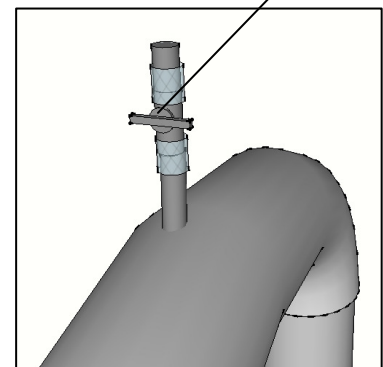
- Connect pipe combination A with the pump.
- Put point B into the gland and fix it.
- Fix the skimmer with the bracket on your tank. *Look at page 4*
- Prefill the skimmer with water until you arrive the arrow line.
- Start the vent.



Required prefill

After you have prefilled the water, you can start the venting.

You must pull out the air of the pipe and use the lock valve.



How does the skimmer work?

General instructions

The pump has a needlewheel or a meshwheel.

The job of the pump is to produce a water-air mix.

The pump is pulling the air through the venturi (white part on the inlet side of the pump).

The water-air mixture will be produced by the needlewheel or meshwheel.

It is pressed into the skimmer. The protein can be formed around the bubbles. The skimming process is running.

The dirt is collected in the pot. It should be cleaned at least once per week.

External use – note:

You should vent the pipe with the lock valve from time to time.

The pump must never run dry.

Cleaning process

Cleaning the pot

Important things:

Step by step ...

- First plug off the pump from the power supply system.
- Then you can take off and clean the pot.
- After cleaning you can put the pot back and check whether it sits well.
- You can connect the pump to the electricity.
- The skimmer is ready again.

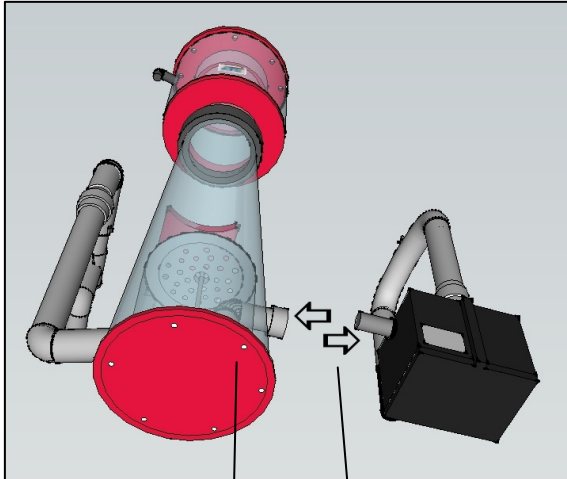
Complete cleaning process of the skimmer

How does it work?

The skimmer is completely detachable if you want to clean the complete skimmer and the pump.

- Plug off the pump from the power supply system.
- Then you can take off the pot.
- Internal use: The pump must be disconnected from the inlet pipe. External use: The skimmer must be disconnected from the tank. Empty it out.
- You can take off the pump if the skimmer is empty. For this you have to loosen the squeeze-screw. Then it will be easy to take of the pump.
- Now the pump is ready for cleaning.
- You need to open the ground plate if you want to clean the skimmer inside. This can be done by unscrewing the 6 screws on the bottom of the skimmer. Then you can take out the complete inner part.
- The assembly is done backwards.

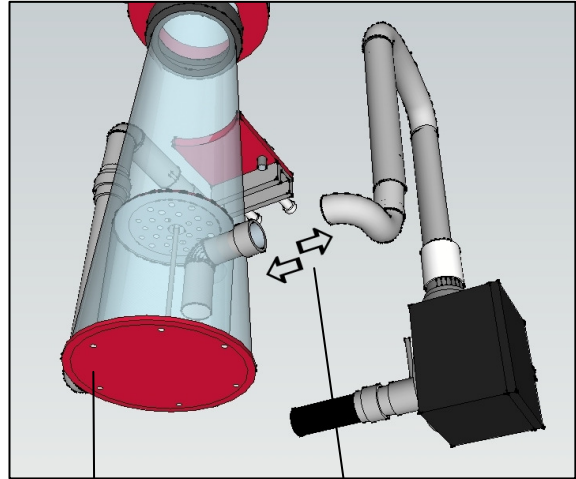
Cleaning process



Open the bottom with the screws

Disconnect the pump from the skimmer

External use



Open the bottom with the screws

Disconnect the pump from the skimmer

Internal use

